



STATE OF OKLAHOMA
 PLAN OF PROPOSED TRAFFIC SIGNAL AT
 MAIN STREET
 AND STEVE OWENS BOULEVARD
 CITY OF MIAMI PROJECT
 PROJECT NO. HSIP-258N(036)TR
 STATE JOB NO. 33078(04)
 OTTAWA COUNTY

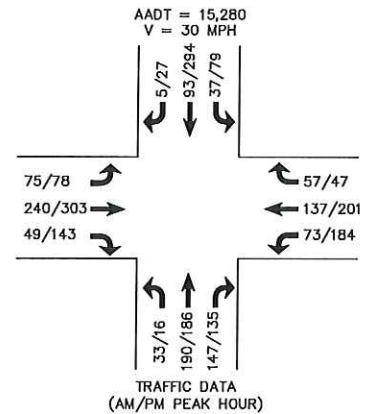
YEAR	STATE JOB NO.
2017	33078 (04)

OLSSON ASSOCIATES
 Olsson Associates - Civil Engineering
 702 S. Main Street
 Joplin, MO 64801
 TEL: 417.791.0843
 FAX: 417.791.4714
 www.olssonassociates.com



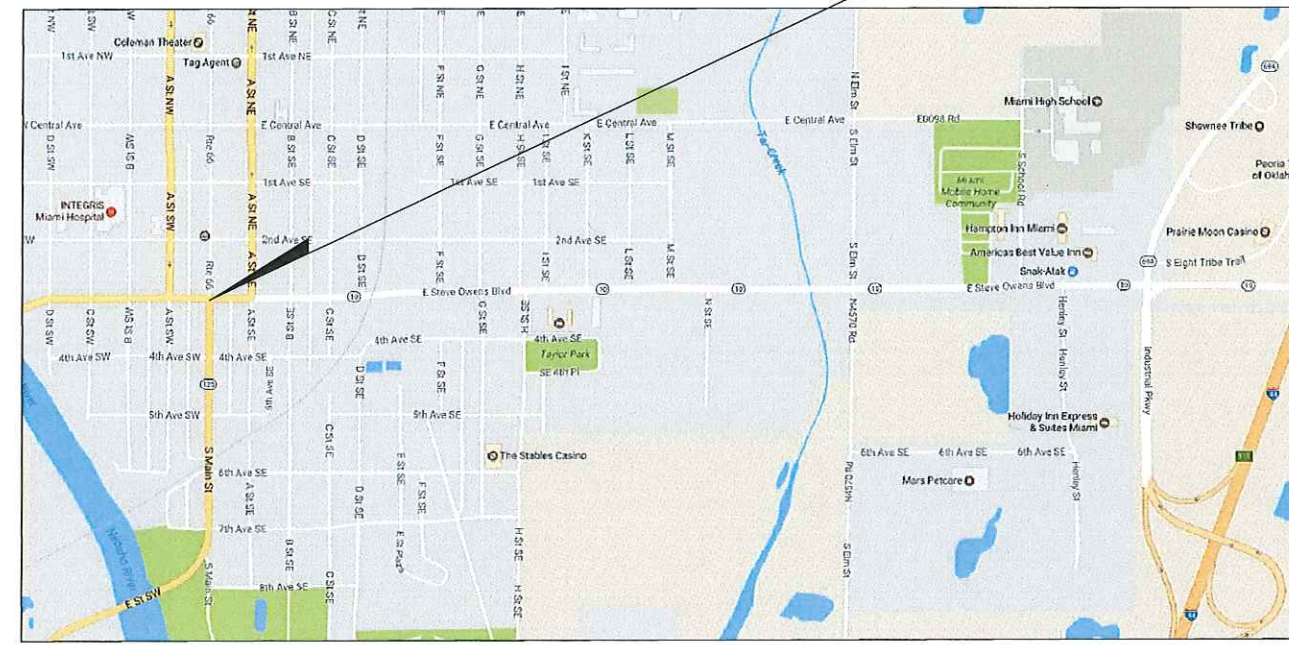
SHEET INDEX

01	TITLE SHEET
02	PAY QUANTITIES SIGNAL TRAFFIC NOTES
03	PAY QUANTITIES SIGNING AND PAVEMENT MARKING NOTES
04	SIGNAL DESIGN SHEET
05	PHASING DIAGRAM
06	WIRING DIAGRAM
07	PAVEMENT MARKING PLAN
08	TRAFFIC CONTROL DETAILS



SCALES
 PLAN 1" = 20'
 PROFILE HOR. NA
 VER. NA
 LAYOUT MAP N.T.S.
 CONVENTIONAL SYMBOLS

- PROPOSED ROAD
- RAILROADS
- RANGE & TOWNSHIP SECTION LINES
- QUARTER SECTION LINES
- FENCES
- GROUND LINE
- EXISTING ROADS
- BASE LINE
- GRADE LINES
- TELEPHONE & TELEGRAPH
- POWER LINES
- BUILDINGS
- OILWELL
- TELEPHONE UNDERGROUND
- SANITARY SEWER
- GAS LINE
- WATER LINE
- DRAINAGE STRUCTURES - IN PLACE
- DRAINAGE STRUCTURES - NEW
- RIGHT-OF-WAY LINES - EXISTING
- RIGHT-OF-WAY LINES - NEW
- RIGHT-OF-WAY MARKERS - IN PLACE
- RIGHT-OF-WAY MARKERS - REMOVE & REPLACE
- RIGHT-OF-WAY MARKERS - NEW
- CONTROLLED ACCESS
- RIGHT-OF-WAY FENCE



LAYOUT MAP

ROADWAY LENGTH	_____	0.0 FT.	0.0 MI.
BRIDGE LENGTH	_____	0.0 FT.	0.0 MI.
PROJECT LENGTH	_____	_____	0.0 MI.
EQUATIONS:	NONE		
EXCEPTIONS:	NONE		

STANDARDS

PMAP1-2-00	TCS1-1-01	PM1-1-02
SPBP1-1-00	TCS2-1-00	PM6-1-00
SA1-1-02	TCS3-1-01	
SNS1-1-02	TCS4-1-01	
TSSS1-1-00	TCS5-1-00	
PWD1-2-00	TCS6-1-02	
CFD1-2-00	TCS7-1-02	
CC1-1-00	TCS8-1-00	
TSSP1-1-00	TCS11-1-01	
MDL1-1-00		
MDL2-1-00		
MAD1-1-00		
RPMAD1-1-00		
MPMAD1-1-00		

HORIZONTAL CONTROL
 OKLAHOMA STATE PLANE COORDINATE SYSTEM, NAD83, NORTH ZONE

VERTICAL DATUM
 NORTH AMERICAN VERTICAL DATUM OF 1983 (NAVD88)

BENCHMARK INFORMATION

CP#2005
 SET P.K. NAIL 30± SOUTH OF THE SOUTH CURB OF HIGHWAY 10 AN 25± WEST OF WEST CURB ON S. MAIN STREET.
 NORTHING: 695866.39
 EASTING: 2881702.70
 ELEVATION=790.89

CP#2564
 FOUND 3/8" CAPPED IRON PIN NORTHWEST CORNER OF "B" STREET SE AND HIGHWAY 10
 NORTHING: 695808.65
 EASTING: 2882369.12

REV. NO.	DATE	REVISIONS DESCRIPTION	BY

TITLE SHEET
 W077 - TRAFFIC SIGNAL PLANS
 MAIN STREET AND STEVE OWENS BOULEVARD
 CITY OF MIAMI, OKLAHOMA
 MIAMI, OKLAHOMA
 2017

drawn by: JRS
 checked by: JSS
 approved by: TAF
 CIV/DC by: JSS
 project no.: 016-2300 W077
 drawing no.: SEE PLOT STAMP
 date: 07-18-2017

SHEET
 01 of 08

DWS: F:\2016\2001-2500\016-2300\40-Design\AutoCAD\W07 Traffic Signal\Sheets\TRFC\F_TITL_62300_W07.dwg
 DATE: Jul 25, 2017 5:14pm
 USER: tmchenry
 XREFS: F:\BULK_62300_W07

2009 OKLAHOMA STANDARD SPECIFICATIONS FOR HIGHWAY CONSTRUCTION GOVERN, APPROVED BY THE U.S. DEPARTMENT OF TRANSPORTATION, FEDERAL HIGHWAY ADMINISTRATION, JANUARY 4 2010.